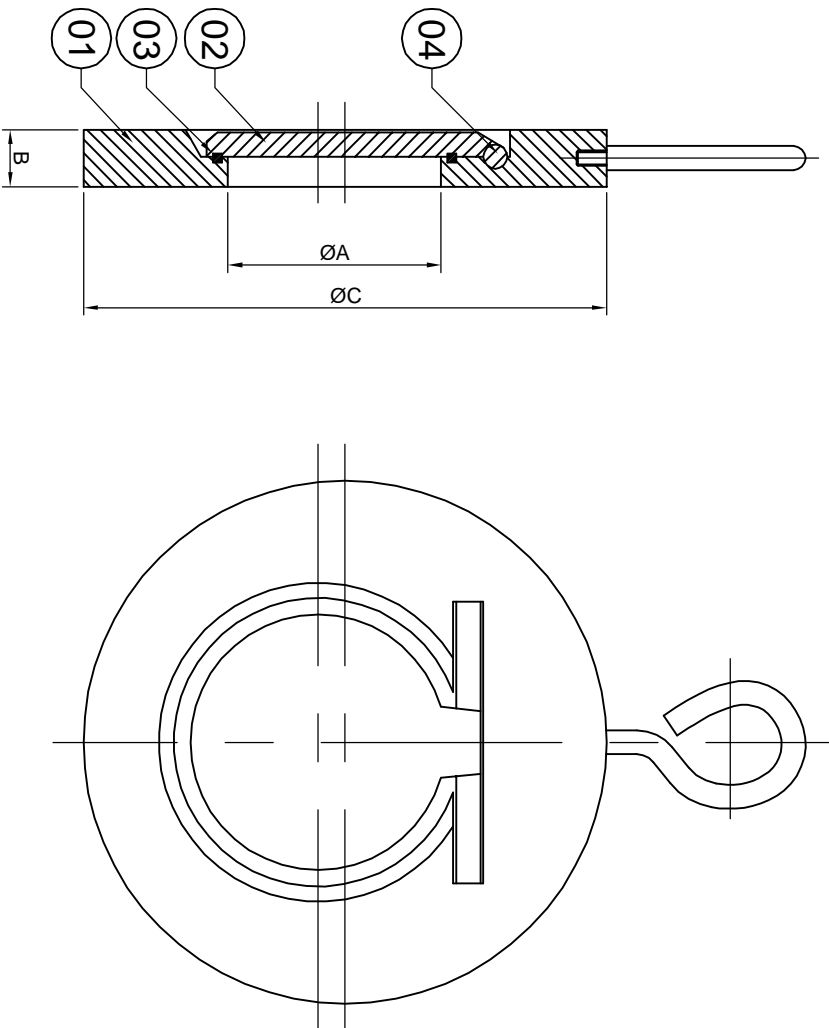


S I Z E	D I M E N S I O N	
	INCH	M.M.
1"	1 1/2"	2"
2"	2 1/2"	3"
3"	4"	5"
4"	5"	6"
5"	6"	8"
6"	8"	10"
8"	10"	12"
10"	12"	14"
12"	14"	16"
14"	16"	18"
16"	18"	20"
18"	20"	24"
20"	24"	
24"		




TECHNICAL DATA

DESIGN & MANUFACTURING STD.	API 6D / ASME B16.34
INSPECTION & TESTING	API 598

HYDRO TEST: 150#	
BODY	SEAT
32 KG/CM ²	22 KG/CM ²

SR. NO.	DESCRIPTION	MATERIAL
01	BODY	CARBON STEEL
02	DISC	C.S., CF8, CF8M, CF3, CF3M
03	'O' RING	NITRILE, EPDM, VITON, SILICON, PTFE
04	HINGE PIN	AISI 304, 316, M.S.

DRN.: B.M.P	 <p>NORFLOW CONTROLS Industrial Valves</p>
CHK.: V.G.P	
APRD.: S.K.P	<p>WAFER TYPE CHECK VALVE</p>
DATE:01.04.19	
SCALE.: NTS	
DRG NO.: NC/MCV/150/25 - 600	